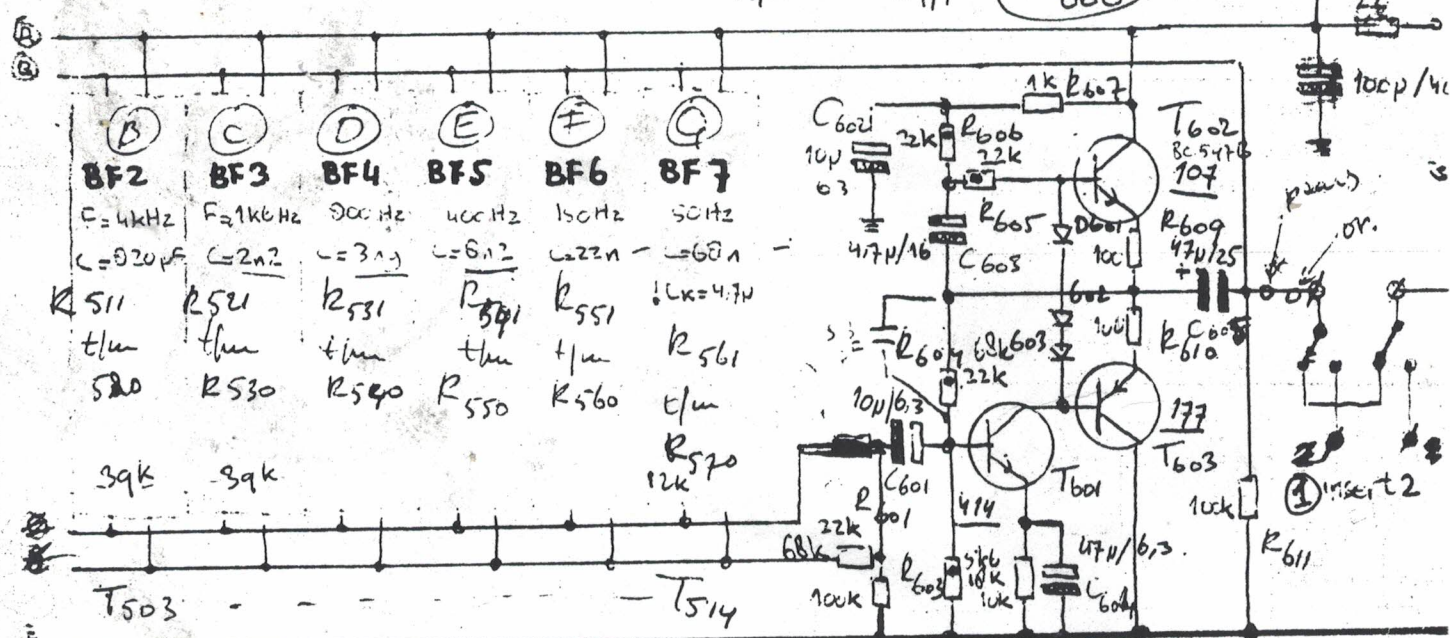
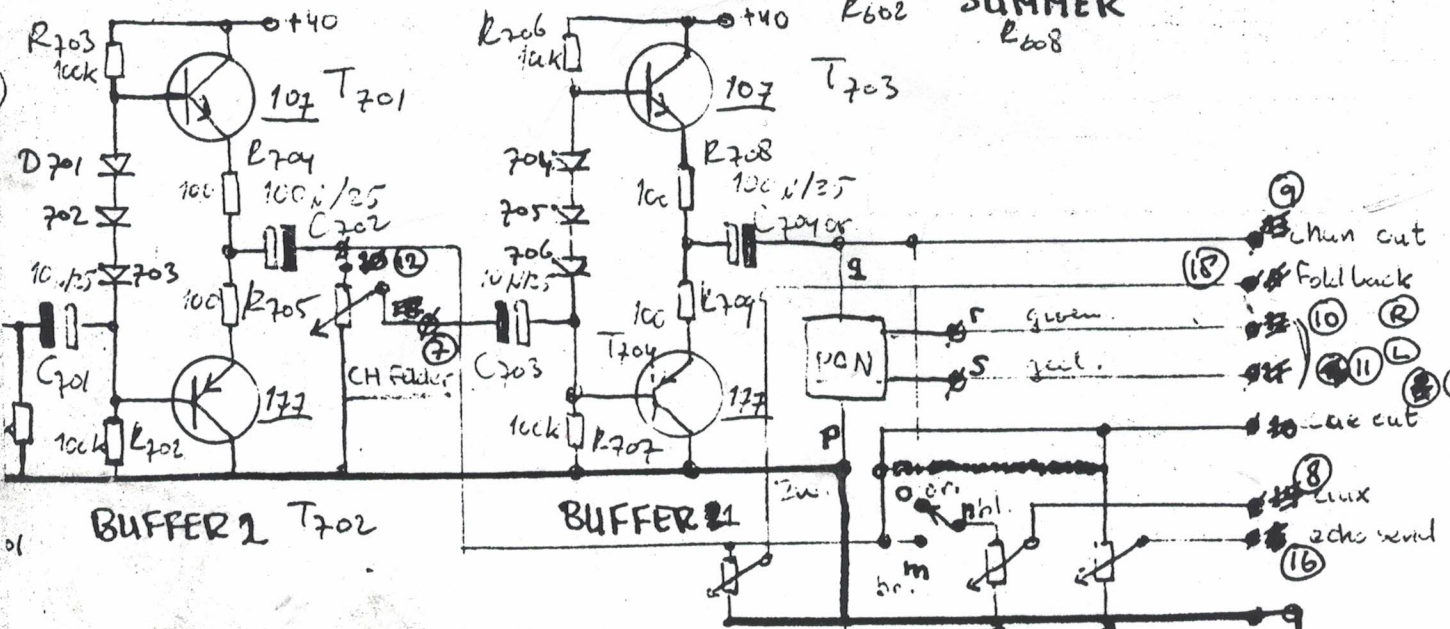


LINE. AMP T302

INVERTER T401



SUMMER R608



PAN POT : 2x 10k lin
2x 2k2 (cool)

aux echo
Fold back
Chain cut